



Weasler®

TORQUE LIMITER

MA-TYPE AUTOMATIC CLUTCH



The MODULAR automatic clutch offers a level of implement overload protection not possible with other types of clutches. The efficient design disconnects the power source from the drivetrain when overload occurs, and does not reconnect until the speed is reduced. During disengagement, the patented design minimizes damaging torque spikes and heat.

PERFORMANCE BENEFITS

- REPEATABLE OVERLOAD PROTECTION
- MINIMAL TORQUE SPIKES WHEN DISENGAGED
- MINIMAL HEAT GENERATION
- MAINTENANCE-FREE CLUTCH
- AUDIBLE OPERATOR NOTIFICATION
- TAMPER-PROOF
- VARIOUS RE-ENGAGEMENT SPEED OPTIONS
- VARIOUS RE-ENGAGEMENT TORQUE OPTIONS
- 7.25 in. (184 mm) DIAMETER
- MODULAR DESIGN OFFERED WITH OR WITHOUT FREE MOTION, OVERRUNNING, DRIVE SHAFT OR THROUGH-SHAFT OPTIONS

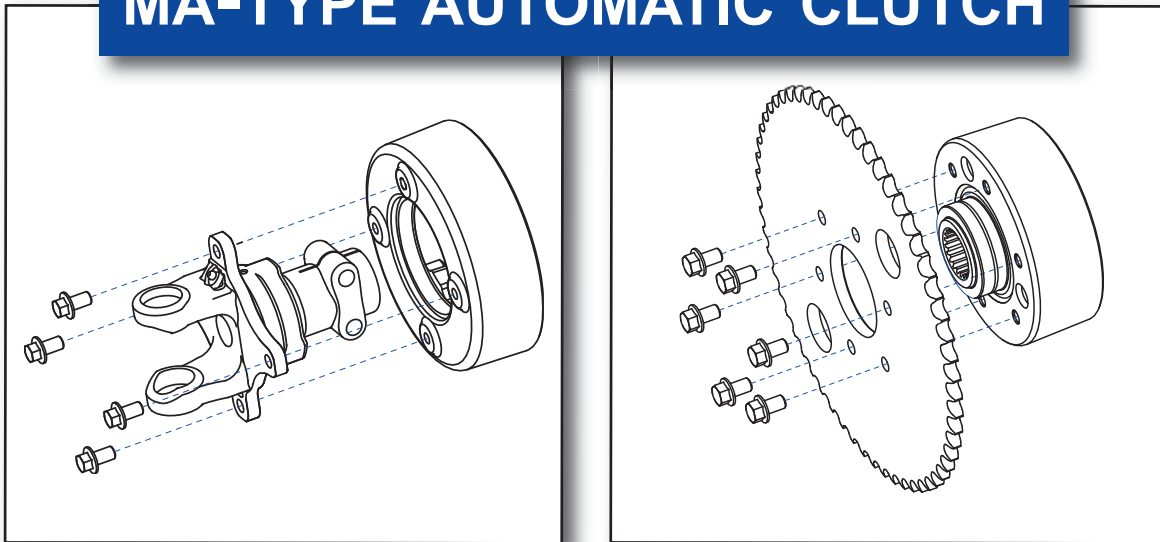
Quality fits. Every time.



Weasler®

TORQUE LIMITER

MA-TYPE AUTOMATIC CLUTCH



DESIGN FEATURES

- **DRIVE WEDGES AND RING**
 - EFFICIENT OVERLOAD PROTECTION IS ATTAINED BY TRANSFERRING THE AXIAL SPRING FORCE INTO TORSIONAL POWER (PATENTED)
 - WEAR RESISTANT DESIGN ENSURES REPEATABLE PROTECTION
- **SPRING**
 - THE DESIGN ALLOWS THE CLUTCH TO SPIN WITH MINIMAL LOAD WHILE DISENGAGED, MINIMIZING DAMAGING TORQUE SPIKES AND HEAT GENERATION (PATENTED)
 - TORQUE PROTECTION LEVEL IS DETERMINED BY SPRING SELECTION AND VERIFIED FOR EACH ASSEMBLY
- **LOW MASS AND COMPACT LENGTH MINIMIZE BEARING OVERHUNG LOAD**
- **AVAILABLE IN EITHER DRIVE SHAFT OR THROUGH-SHAFT CONFIGURATIONS**
- **AUTO-LOK (PATENTED) AND CLAMP HUB ATTACHMENTS ARE AVAILABLE**
- **TORQUE SETTINGS AVAILABLE FROM 6000 TO 24,000 in•lb (700 TO 2700 Nm)**
- **SPEEDS TO 1000 RPM**

Weasler Engineering, Inc.
P.O. Box 558, West Bend, WI 53095 USA
Tel: +1-262.338.2161, Fax: +1-262.338.3709
E-mail: oemsales@weasler.com
web site: www.weasler.com

Weasler Engineering BV
P.O. Box 266, 6600 AG, Wijchen, The Netherlands
Tel: +31 (0)24 64 89 100, Fax: +31 (0)24 64 89 109
E-mail: sales@weasler.nl
web site: www.weasler.com

Weasler Engineering Kft
P.O. Box 262, H6001, Kecskemet, Hungary
Tel: +36 (0)76 500 410, Fax: +36 (0)76 500 415
E-mail: sales@weasler.nl
web site: www.weasler.com