



Weasler®

TORQUE LIMITER

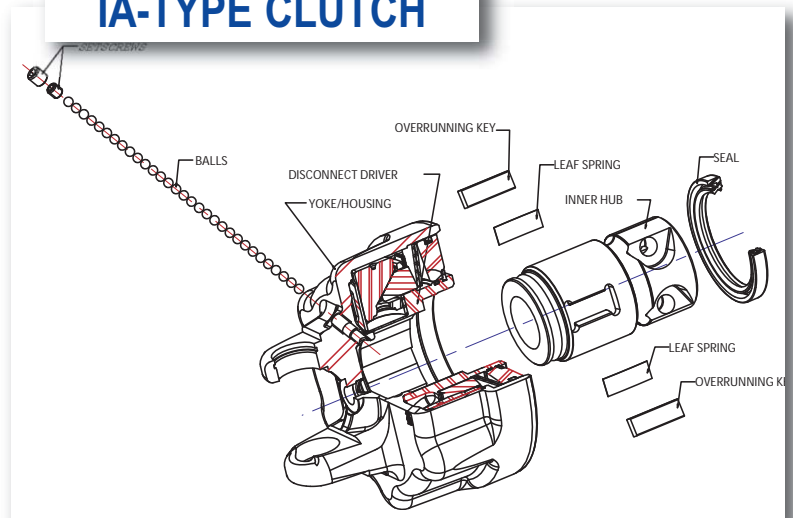
SERVICE INSTRUCTIONS

TOOLS REQUIRED

Screwdriver
Hammer
Grease
Hex Allen Wrench Set
Grease Solvent



IA-TYPE CLUTCH



OVERRUNNING REPAIR

DISASSEMBLY:

1. Remove (2) setscrews from the yoke/housing.
2. Hold clutch with setscrew hole down so the balls can fall out as the inner hub is rotated back and forth. Remove all balls.
3. If balls do not come out, pour a minimum amount of solvent into the setscrew hole, then rotate the inner hub to work solvent into the grease.
4. Hold clutch with setscrew hole down so the balls can fall out as the inner hub is rotated back and forth.
5. Repeat steps 3 & 4 until all balls are removed.
6. Separate the disconnect driver and inner hub and remove leaf springs and overrunning keys.
7. Remove seal from disconnect driver.

INSPECTION:

1. Wipe clean and inspect steel surfaces for wear or warpage and replace if necessary.
2. Clean any rust from mating surfaces with a wire brush or steel wool.
3. Discard leaf springs, overrunning keys, seal, balls, and setscrews.

ASSEMBLY:

1. Apply thin film of grease to inner diameters of disconnect driver.
2. Fill counterbore of inner hub with grease and apply thin film of grease to ball raceway.
3. Assemble leaf springs into inner hub slots and fill slots with grease. Place overrunning keys into the slots.
4. Compress overrunning keys into slots in the inner hub and slide inner hub into the disconnect driver until it stops.
5. Assemble balls through the setscrew hole. (Assembling all balls may require inner hub to be rotated back and fourth.)
6. Assemble setscrews, making sure the inner hub can still be rotated freely in one direction.
7. Apply thin film of grease to seal inner diameter and assemble into disconnect driver.

UNCONTROLLED DOCUMENT 56-15163 Rev. 02

Weasler Engineering, Inc.
P.O. Box 558, West Bend, WI 53095 USA
Tel: +1-262.338.2161, Fax: +1-262.338.3709
E-mail: oemsales@weasler.com
web site: www.weasler.com

Weasler Engineering BV
P.O. Box 266, 6600 AG, Wijchen, The Netherlands
Tel: +31 (0)24 64 89 100, Fax: +31 (0)24 64 89 109
E-mail: sales@weasler.nl
web site: www.weasler.com

Weasler Engineering Kft
P.O. Box 262, H6001, Kecskemet, Hungary
Tel: +36 (0)76 500 410, Fax: +36 (0)76 500 415
E-mail: sales@weasler.nl
web site: www.weasler.com